



Worm Gear Box

Shaft Mounted Gear Box (SMSR)

Parallel Shaft Helical Gear Box

Hollow Shaft Helical Gear Box

Helical Gear Boxes

Extruder Duty Helical

Gear Box

Heavy Duty Gear Box

Spiral Bevel Gear Box

Spares

KIC
OVERSEAS

www.kic.co.in

Parallel Shaft Helical Gear Box

Range :

Centre Distance Single Stag up to 400mm.

Centre Distance :

400mm at final stage.

Ratio :

Upto 630:1

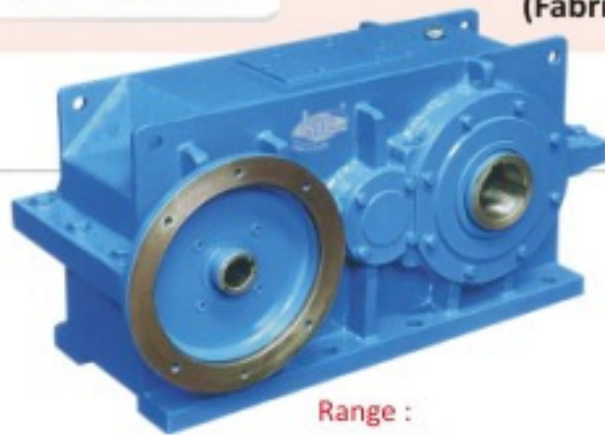
Types :

Single, two, three & 4 stage.

Up to 500 KW



Hollow Shaft Helical Gear Box



Range :

Centre Distance Input to Output Upto 1100 mm

Crane Duty Helical Gear Boxes (Fabricated Steel Body)



Ratio :

Upto 630:1
For Hoisting, L.T. & C. T.

Helical Gear Boxes

Extruder Duty Helical Gear Box

- ↪ Spherical Thrust / Taper Roller Bearing.
- ↪ Dual output shaft oil seals for severe continuous duty applications.
- ↪ Gear Ratio of 6.3:1 to 20:1
- ↪ Water cooling option available which is In-built.
- ↪ Harden & Ground Gears.
- ↪ Upto 150 KW





Worm Gear Box

Range :
Centre Distance
1.25" to 14"

Ratio :
5:1 to 490:1

Types :
Adaptable, Underdriven,
Overdriven, Vertical,
Hollow Shaft & double
reduction models

Heavy Duty Gear Box



For High Speed
Printing Machine

Spiral Bevel Gear Box



For Printing Machine

Spares

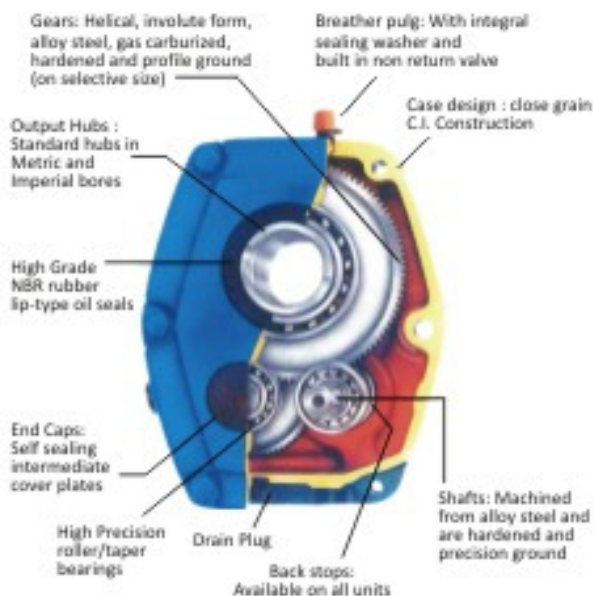
Worms are made of alloy steels duly hardened and profile ground. Worm wheel with hub of graded cast iron and phosphorous bronze centrifugal cast ring duly welded and hobbled cut to precision centres distances.

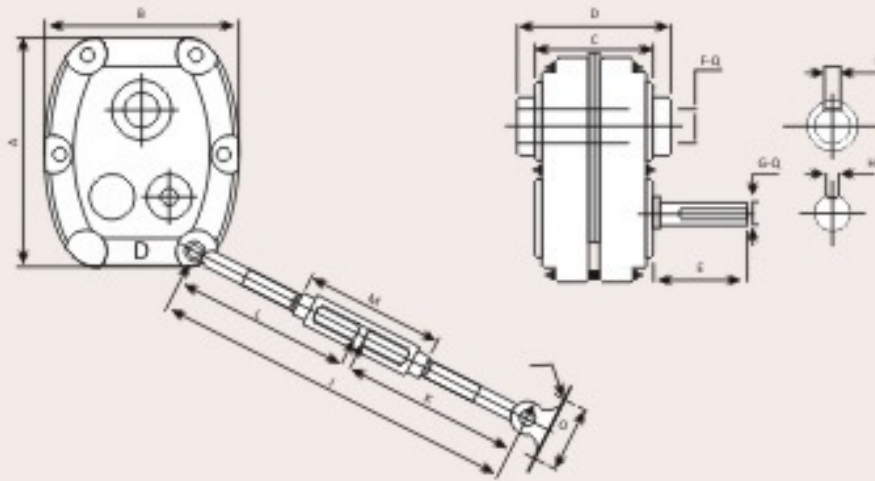


Shaft Mounted GearBox (SMSR)

Range :
C, D, E, F, G, H

Ratio :
5:1 13:1, 20:1





DIMENSIONS - SHAFT MOUNTING FOR SIZES - CE - FE (4 SIZE'S)

Size	A	B	C	D	E	F Q	G Q	H	I	J	K	L	M	O	P	Approx Kg.		Approx Oil		Suitable For
																5 Ratio	13-20 Ratio	05 Ratio	13-20 Ratio	
C	275	220	110	147	65	35	22	6x3	10x5	565	270	270	150	75	10	21	25	0.6	0.5	2 HP
D	330	245	120	163	75	50	25	9x4	14x5	565	270	270	150	75	10	32	35	1.0	0.8	3 HP
E	382	280	130	171	80	55	28	9x4	16x5	565	270	270	180	75	12	44	50	1.9	1.7	5 HP
F	410	315	150	205	90	65	32	10x5	16x5	565	270	270	180	75	12	65	70	2.6	2.3	7.5 HP
G	490	400	170	220	105	75	42	12x5	20x5	565	270	270	180	75	12	91	98	3.3	3.0	10-12.5 HP
H	565	450	195	250	116	85	48	14x5	22x8	565	270	270	180	75	12	140	150	4.8	4.5	15 HP

Note : All Dimension are in mm. # scale:- N.T.S.

Worm & Wheel Pairs

Range :
Centre Distance
1.25" to 17"
Ratio :
5:1to 70:1



Spur/Helical Gears

Range :
400mm Dia
Ratio :
30 Module



Spiral Bevel Gears

Range :
200mm Dia.,
20 module.



KIC

OVERSEAS

9, Navrang Para, Rajkot - 360 004 (Guj.) INDIA
Tel : +91-281-2388697 Mobile : +91-96875 67045
E-mial : info@kic.co.in ● web : www.kic.co.in

